

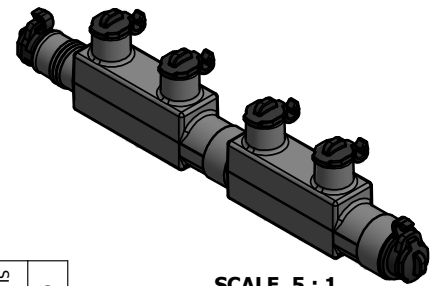
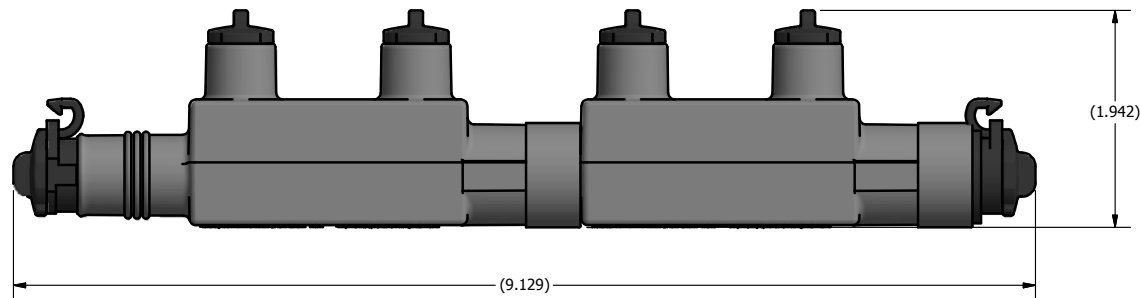
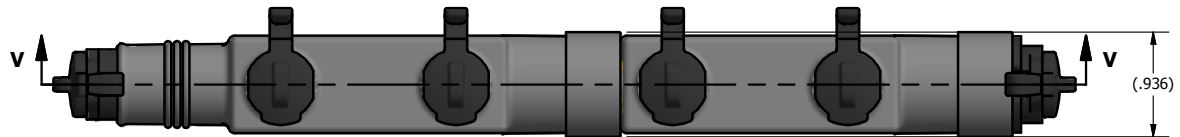
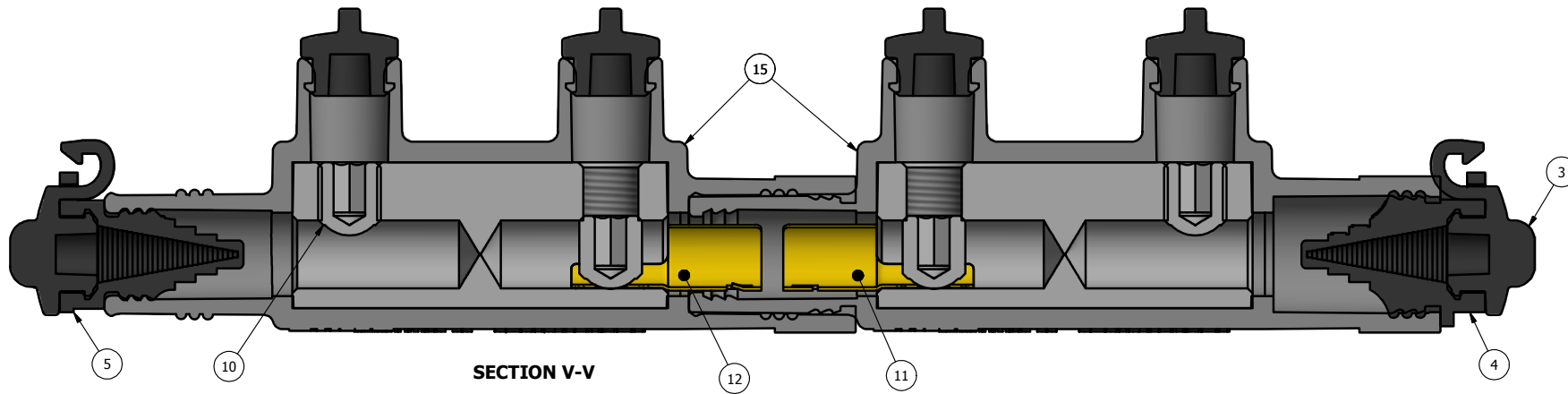
SCREW: E1376  
 CAT. NO.: SEE CHART  
 INFORMATION SHEET: FORM 230

MATERIAL: MULTIPLE  
 PLATING: SEE PART  
 MARKING: SEE BELOW

REV: D  
 DRAWN BY: DFR  
 DATE: 1/18/2016  
 SCALE: 1.5 : 1  
 SIZE: B



DWG NO: M8003  
 SHEET: 1 OF 1



**SCALE .5 : 1**

QTY	QTY	NO.	PART NUMBER	DESCRIPTION
2	2	15	M8000B22W	BODY SUB, ASSEMBLY
1	1	12	R7195C01T	FUSE CLIP RETAINER
1	1	11	R7195C00T	FUSE CLIP WITHOUT RETAINER
4	4	10	E1376C00T	AL SCREW 3/8-24 UNF 2A- EL-TIN
1	1	5	R7189C00A	WIRE SEAL
1	1	4	R7190C00A	WIRE SEAL
6	6	3	R7188C00A	PLUG, WIRE SEAL